



Installation instructions, accessories

Volvo Car Corporation Gothenburg, Sweden

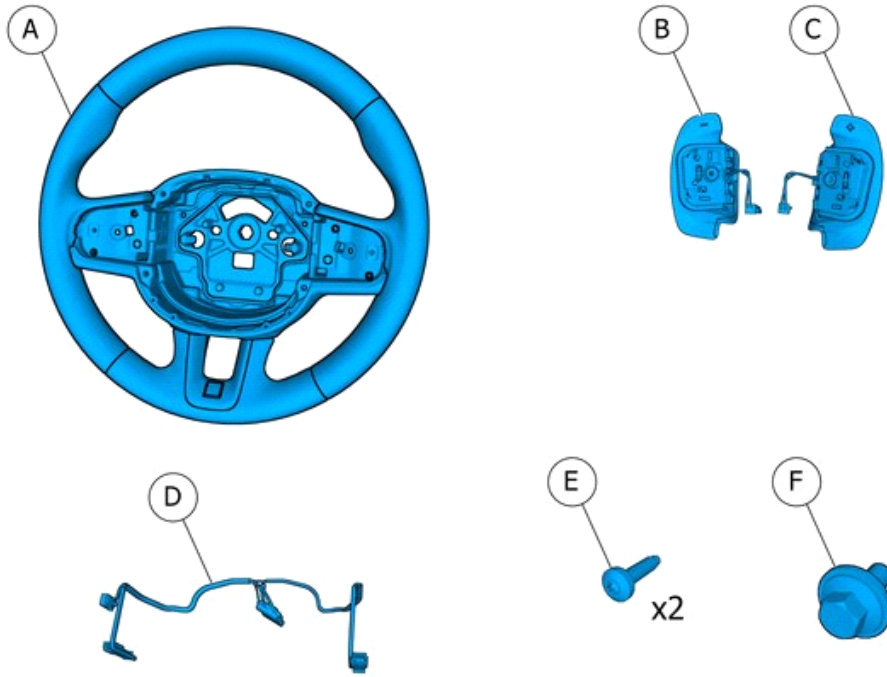
Instruction No	Version	Part. No.
31470762	1.0	39842117

Steering wheel, sport, paddles



Installation instructions, accessories

Volvo Car Corporation Gothenburg, Sweden



IMG-419449



Installation instructions, accessories

Volvo Car Corporation Gothenburg, Sweden

Information

1

Read through all of the instructions before starting installation.

Notifications and warning texts are for your safety and to minimise the risk of something breaking during installation.

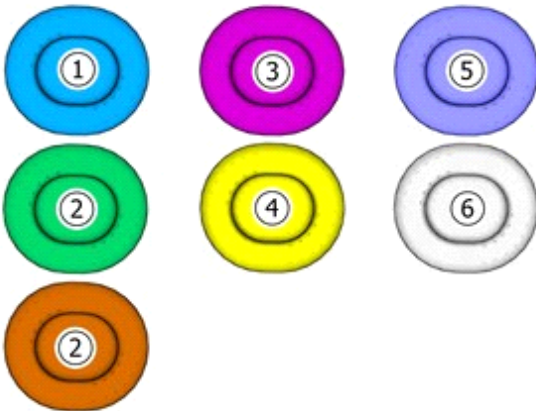
Ensure that all tools stated in the instructions are available before starting installation.

Certain steps in the instructions are only presented in the form of images. Explanatory text is also given for more complicated steps.

In the event of any problems with the instructions or the accessory, contact your local Volvo dealer.

Color symbols

2



IMG-363036

Note!

This colour chart displays (in colour print and electronic version) the importance of the different colours used in the images of the method steps.

- Used for focused component, the component with which you will do something.
- Used as extra colors when you need to show or differentiate additional parts.
- Used for attachments that are to be removed/installed. May be screws, clips, connectors, etc.
- Used when the component is not fully removed from the vehicle but only hung to the side.
- Used for standard tools and special tools.
- Used as background color for vehicle components.

Removal



Installation instructions, accessories

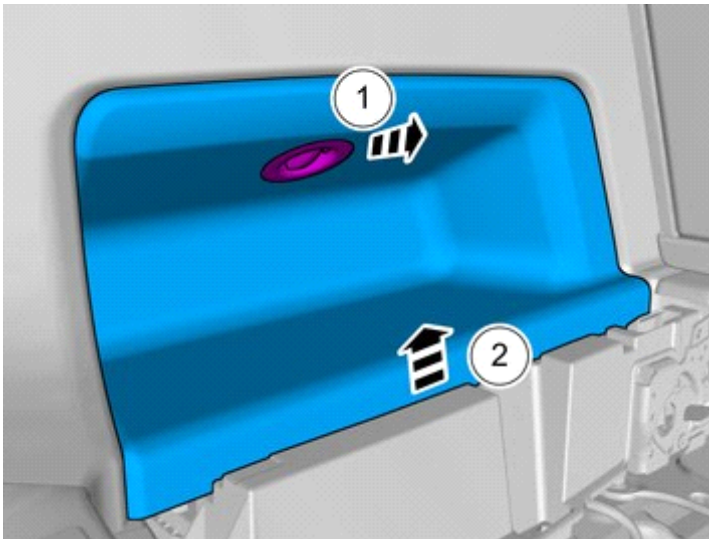
Volvo Car Corporation Gothenburg, Sweden

3



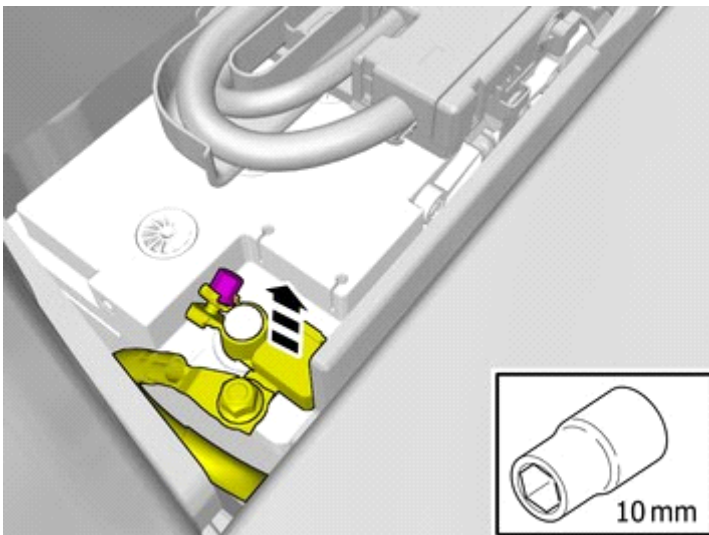
IMG-394535

4



IMG-387004

5



IMG-394520

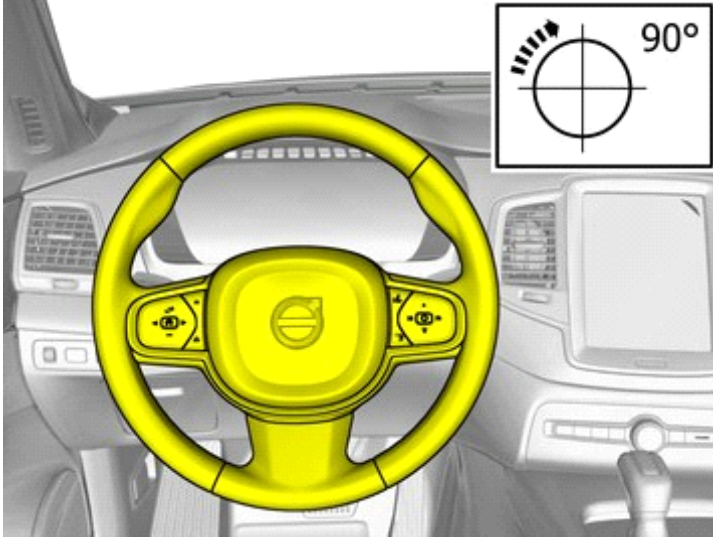
Remove the battery's negative cable.



Installation instructions, accessories

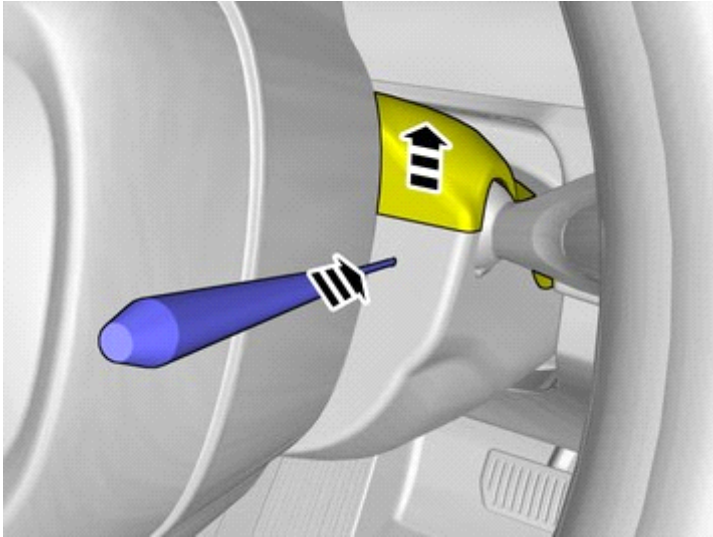
Volvo Car Corporation Gothenburg, Sweden

6



IMG-395203

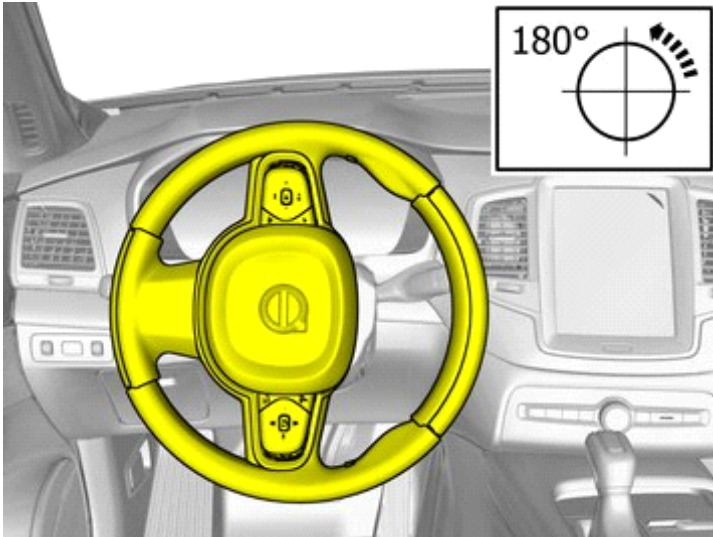
7



IMG-395231

Release the lock.

8



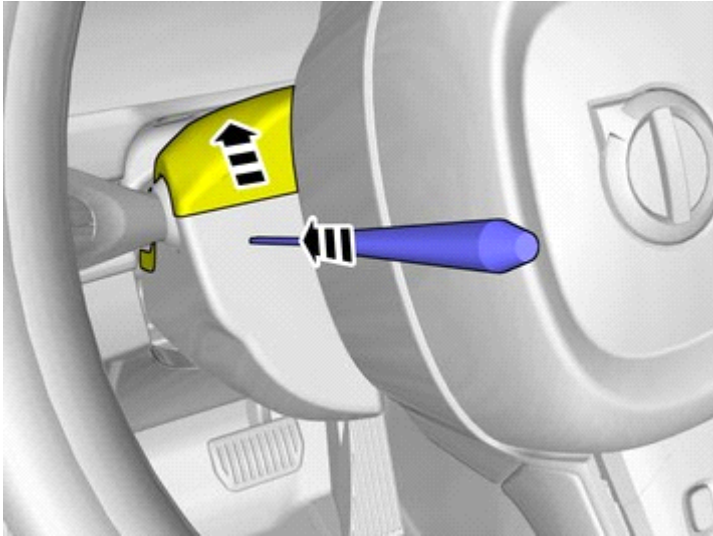
IMG-395232



Installation instructions, accessories

Volvo Car Corporation Gothenburg, Sweden

9



IMG-395236

Release the lock.

10



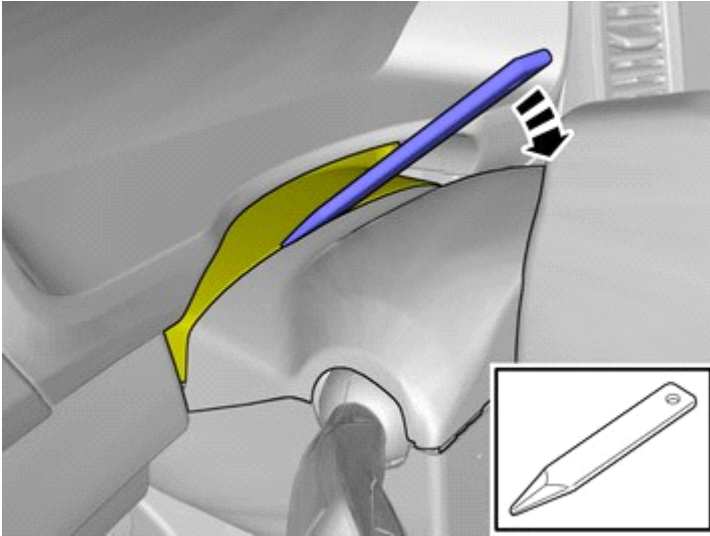
IMG-395252



Installation instructions, accessories

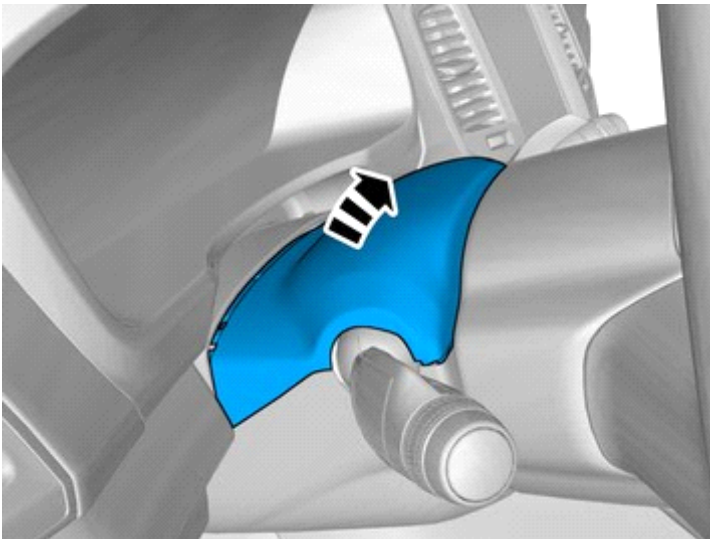
Volvo Car Corporation Gothenburg, Sweden

11



IMG-395250

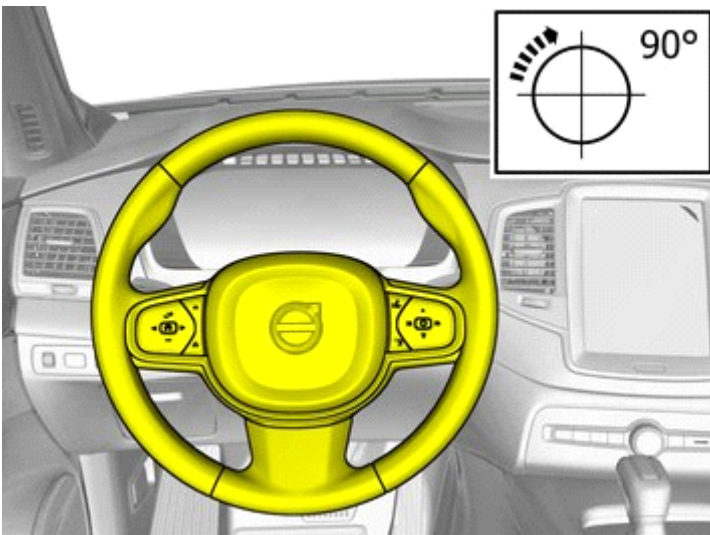
12



IMG-395260

Remove the marked part.

13



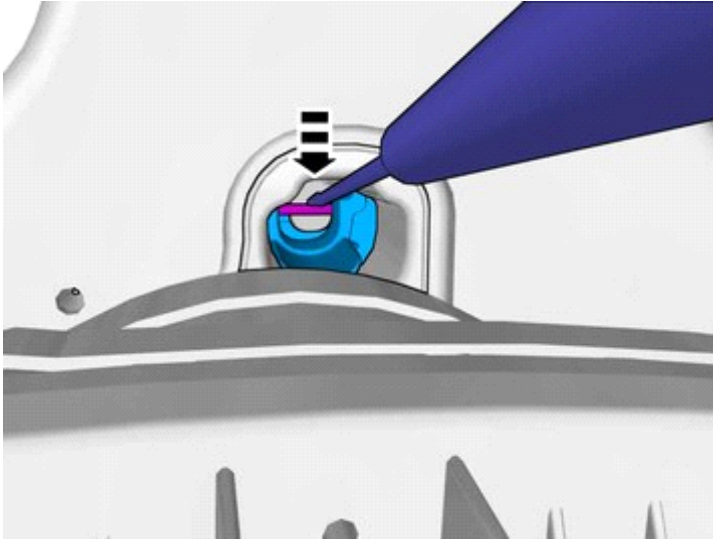
IMG-395203



Installation instructions, accessories

Volvo Car Corporation Gothenburg, Sweden

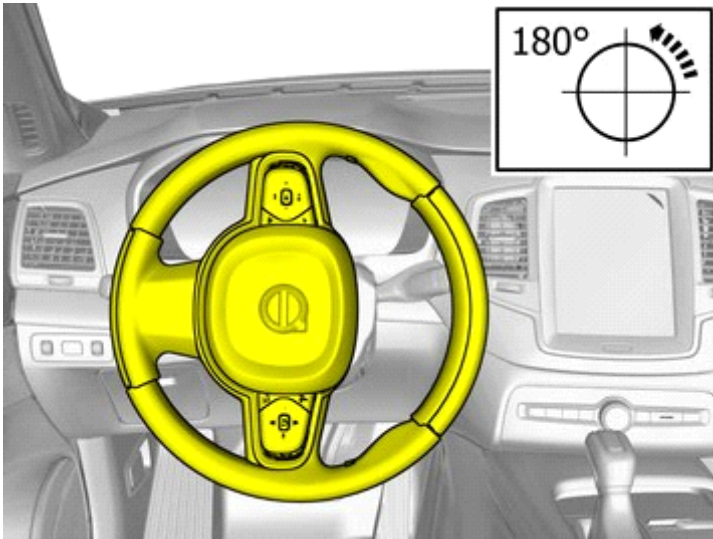
14



IMG-395375

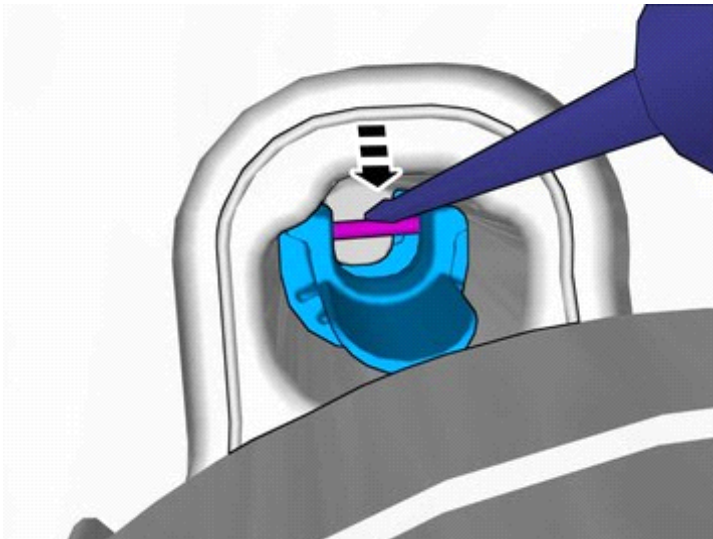
Release the lock.

15



IMG-395232

16



IMG-395391

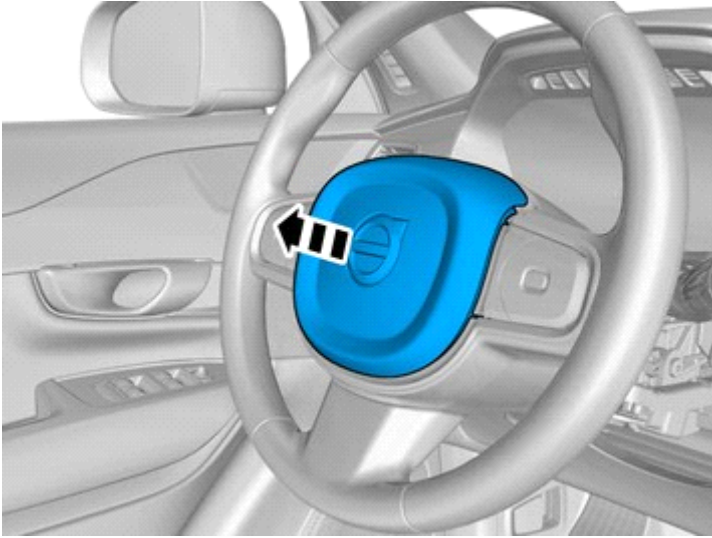
Release the lock.



Installation instructions, accessories

Volvo Car Corporation Gothenburg, Sweden

17



IMG-395397

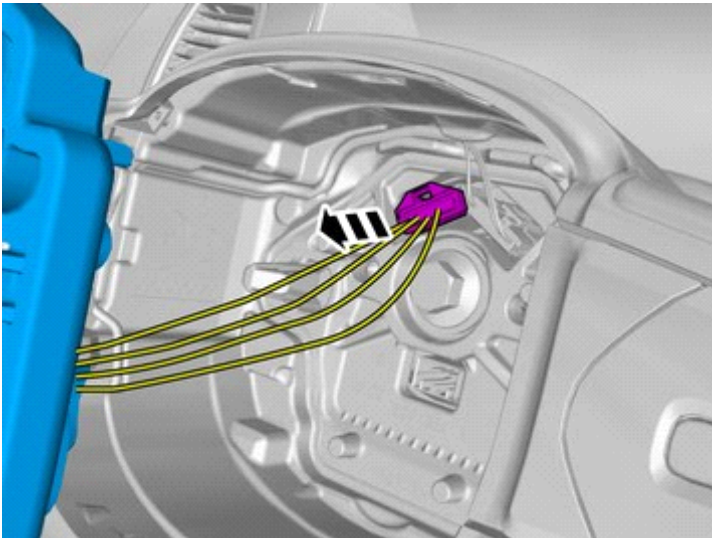
Warning!

When temporarily storing a pyrotechnical component, it must always be positioned with its active part (e.g. air bag front or equivalent) facing up.

Remove the marked part.

The part is to be reused.

18



IMG-395457

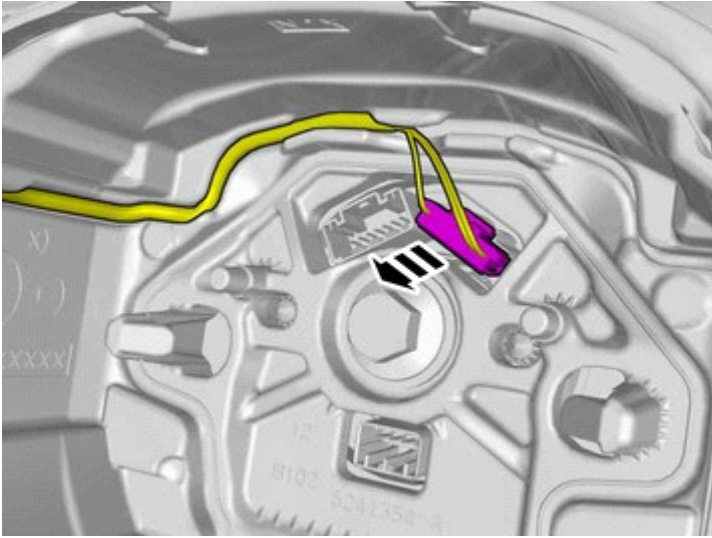
Disconnect the connector.



Installation instructions, accessories

Volvo Car Corporation Gothenburg, Sweden

19



IMG-395470

Disconnect the connector.

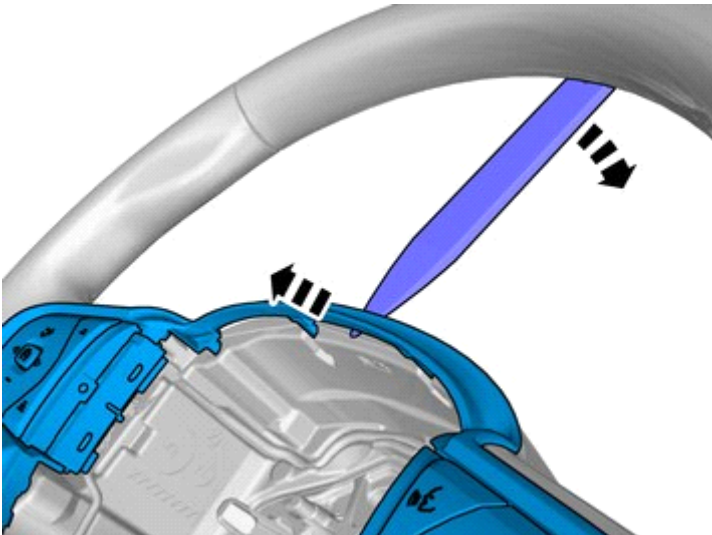
20



IMG-395471

Remove the screw.

21



IMG-395670

The part is to be reused.

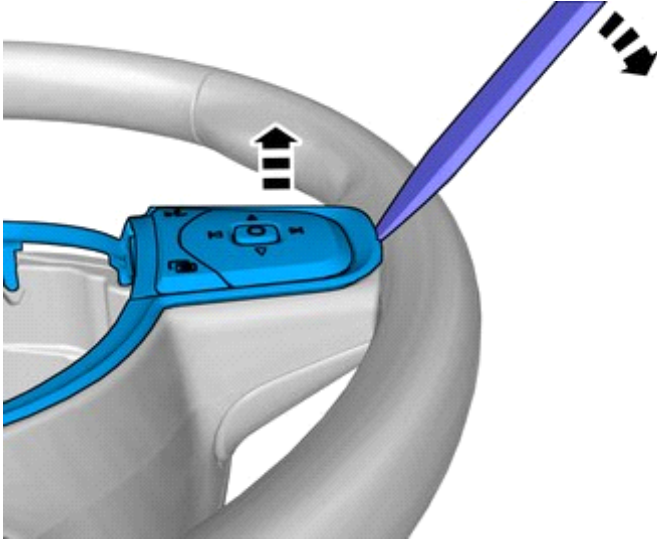
Use: Interior trim remover



Installation instructions, accessories

Volvo Car Corporation Gothenburg, Sweden

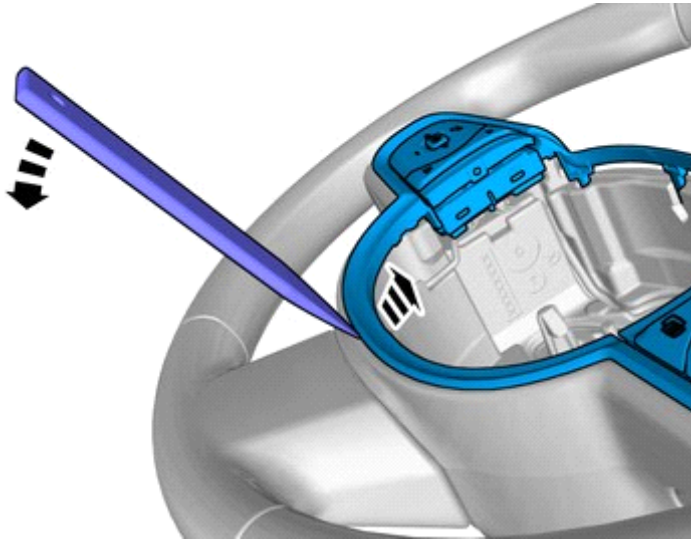
22



IMG-395671

Use: Interior trim remover

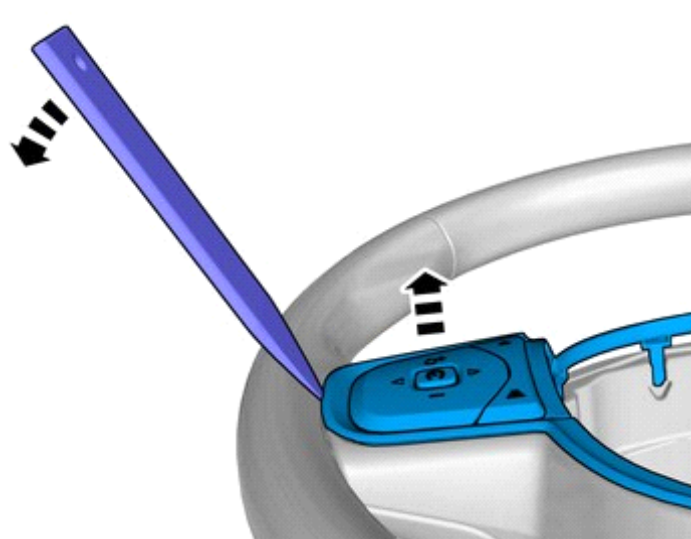
23



IMG-395681

Use: Interior trim remover

24



IMG-395682

Use: Interior trim remover



Installation instructions, accessories

Volvo Car Corporation Gothenburg, Sweden

25

Remove the marked part.

The part is to be reused.

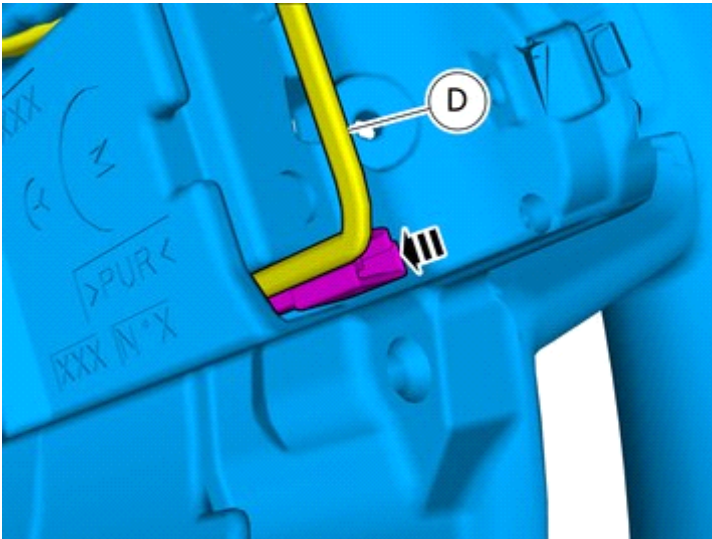


IMG-395680

Accessory installation

26

Place the component where indicated in the graphic.



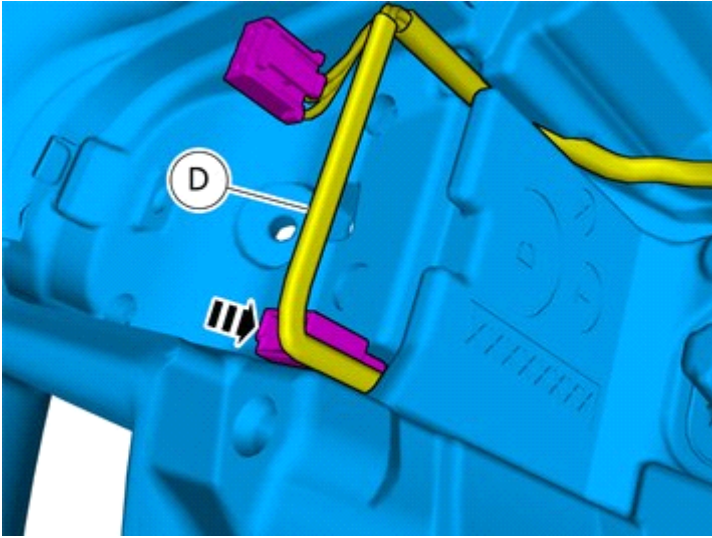
IMG-419630



Installation instructions, accessories

Volvo Car Corporation Gothenburg, Sweden

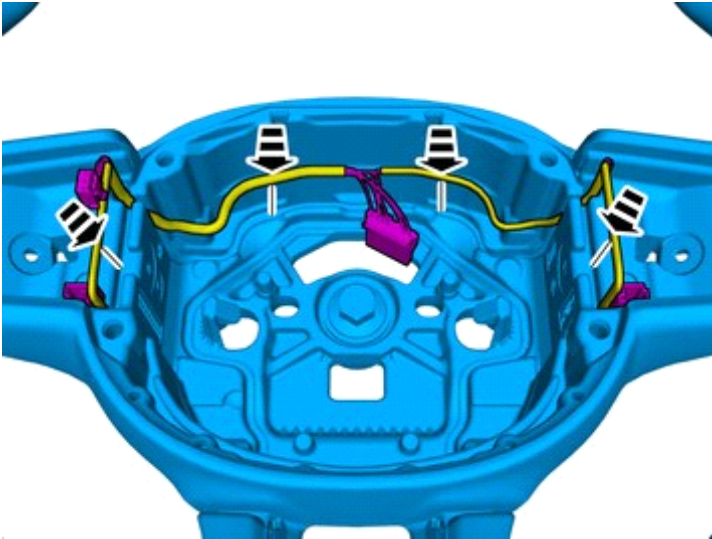
27



IMG-419631

Place the component where indicated in the graphic.

28

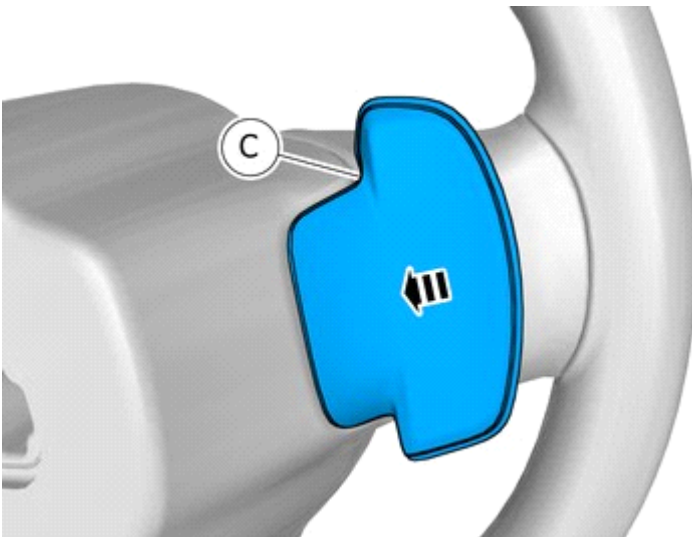


IMG-419632

Note!

Press the wire into the groove to secure it.

29



IMG-419551

Place the component where indicated in the graphic.

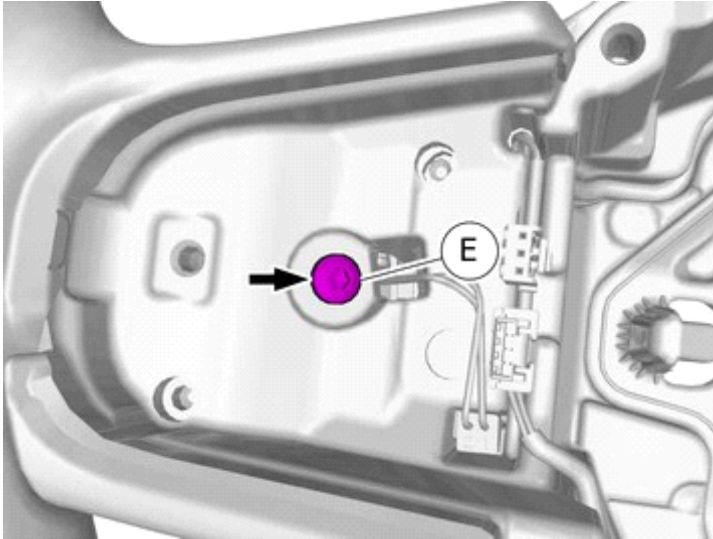
Repeat on the other side.



Installation instructions, accessories

Volvo Car Corporation Gothenburg, Sweden

30

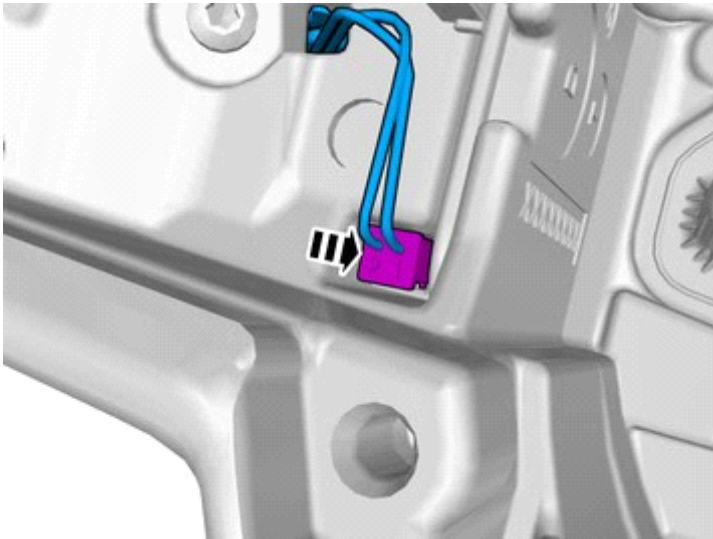


IMG-419552

Install the screw.

Repeat on the other side.

31

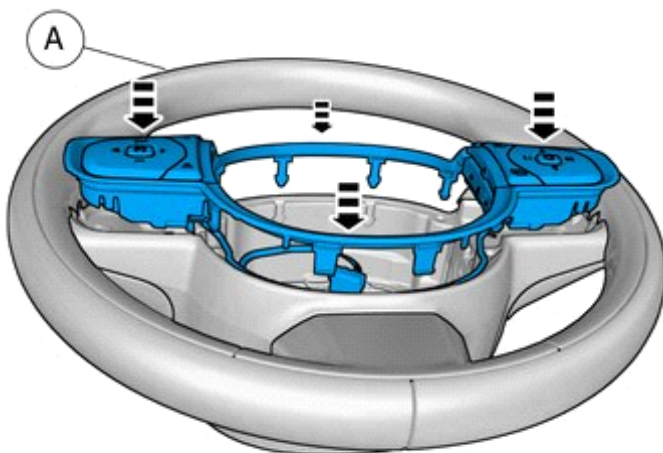


IMG-419550

Connect the connector.

Repeat on the other side.

32



Place the component where indicated in the graphic.

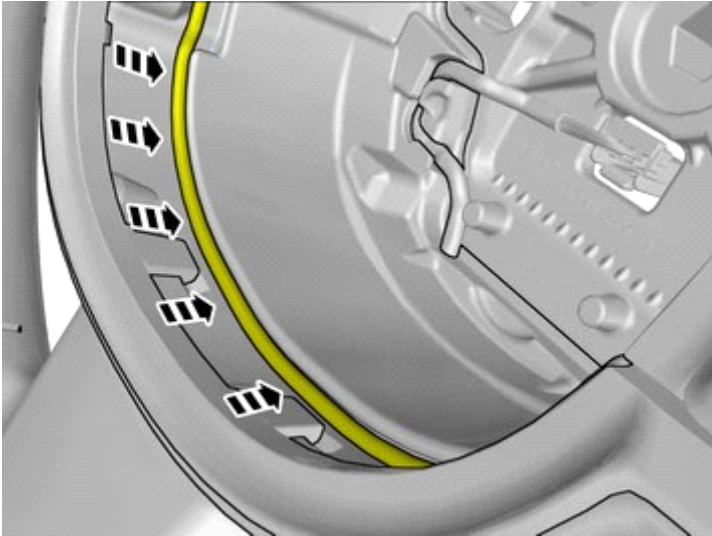
IMG-395811



Installation instructions, accessories

Volvo Car Corporation Gothenburg, Sweden

33

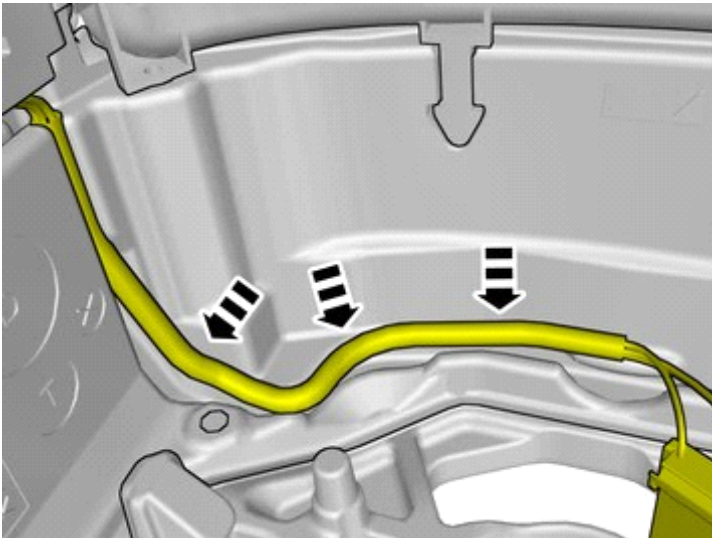


IMG-395820

Note!

Press the wire into the groove to secure it.

34



IMG-395825

Note!

Press the wire into the groove to secure it.



Installation instructions, accessories

Volvo Car Corporation Gothenburg, Sweden

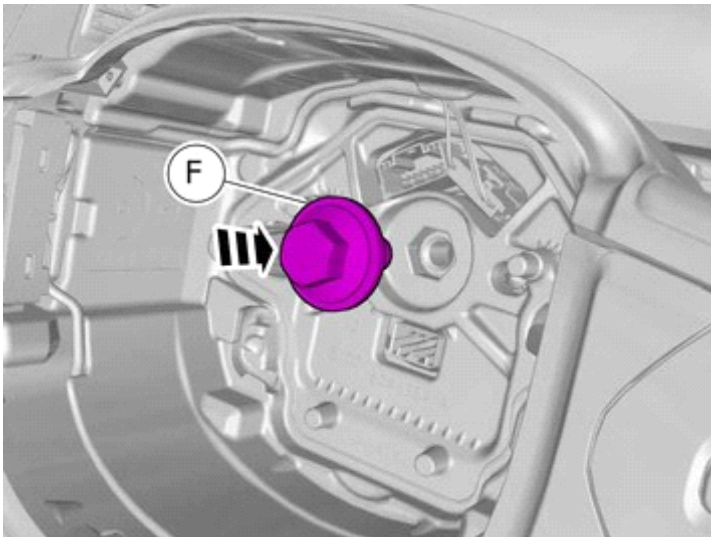
35



IMG-419569

Install component that comes with the accessory kit.

36



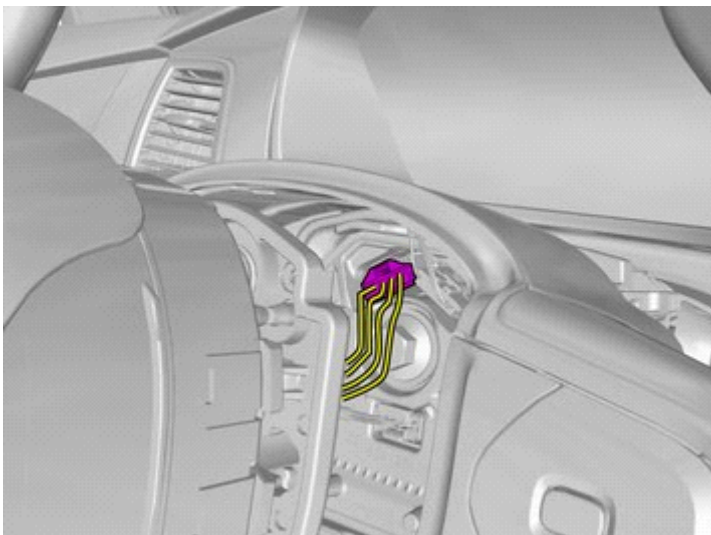
IMG-419640

Install component that comes with the accessory kit.

Tighten the screw.

Tightening torque: Steering wheel to steering column (center screw) , 60 Nm

37



IMG-396035

Connect the connector.



Installation instructions, accessories

Volvo Car Corporation Gothenburg, Sweden

38



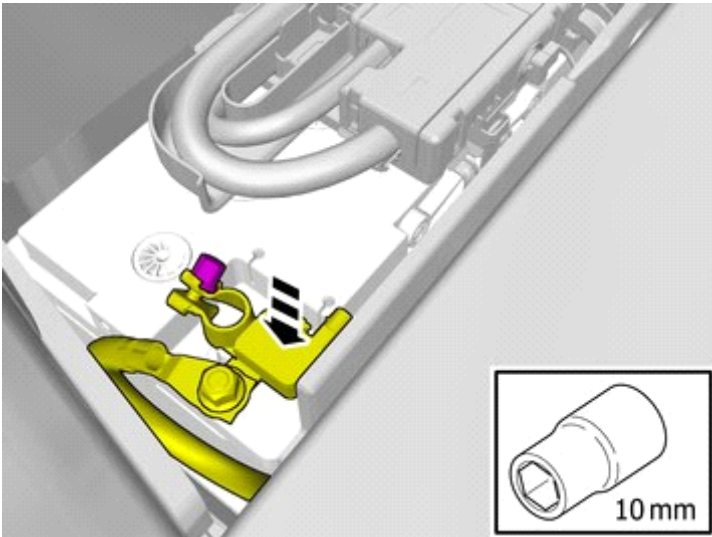
IMG-419645

Reuse existing parts.

A click confirms that the component is in the correct position.

Installation

39



IMG-394580

Reinstall the battery's negative cable.

Tightening torque: Battery cable for battery , 6 Nm



Installation instructions, accessories

Volvo Car Corporation Gothenburg, Sweden

40



IMG-394531

Warning!

The first time the vehicle is activated after the battery has been disconnected, this must be performed from the rear seat, avoid the work area for the air bags.

Right-hand drive vehicles

41

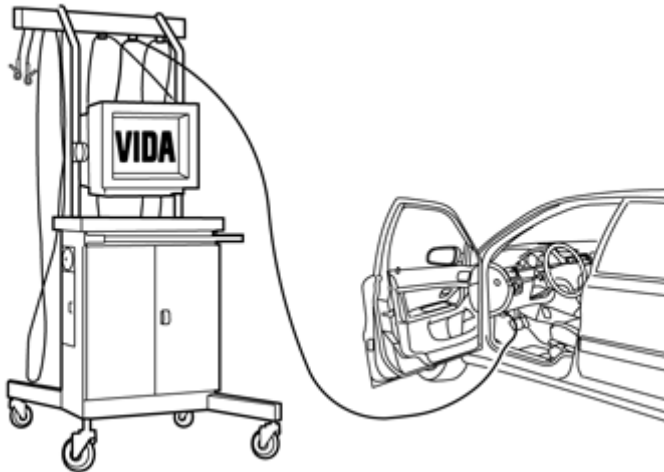
When removing on right-hand drive cars, perform the procedures on the opposite side and/or mirrored.

When installing on right-hand drive cars, perform the procedures on the opposite side and/or mirrored.

Accessory installation

42

Order and download software according to: 31659138



IMG-242268